

Damper actuator for operating air control dampers in ventilation and air-conditioning systems for building services installations

- Torque: 10Nm
- Nominal voltage: AC 24...240V/DC 24...125V
- Control: Open/Close



## Technical data

<b>Electrical data</b>	Nominal voltage	AC 24...240V 50/60Hz, DC 24...125V
	Nominal voltage range	AC 19.2...264V, DC 20.4...126.5V
	Power consumption In operation	6.0W @ running/2.5W @ holding
	For wire sizing	9.5VA
<b>Functional data</b>	Connection	Cable 1m, 2x0.75mm <sup>2</sup>
	Torque - Motor	Min. 10Nm @ nominal voltage
	- Spring return	Min. 10Nm
	Direction of rotation	Selectable by mounting L/R
	Manual override	By manual override key
	Angle of rotation	Max. 95° ↔, limited on both sides by means of adjustable, mechanical end stops
	Running time - Motor	< 75s (0...10Nm)
	- Spring return	< 20s @ -20...50°C/max. 60s @ -30°C
	Sound power level - Motor	Max. 50dB(A)
	- Spring return	~62dB(A)
<b>Working conditions</b>	Position indication	Mechanical
	Life time	>60,000 full cycles
	Protection class	II (totally insulated) <input type="checkbox"/>
	Degree of protection	IP54
	EMC	CE according to 2004/108/EC
	Low voltage directive	CE according to 2006/95/EC
	Control pollution degree	3
	Rated Impulse Voltage	4kv
	Mode of operation	Type 1.AA
	Ambient temperature	-30...+50°C
	Non-operation temperature	-40...+80°C
	Humidity test	95% RH, non-condensing
	Maintenance	Maintenance-free
<b>Dimensions / weight</b>	Dimensions (LxWxH)	236x98x58mm
	Weight	Approximately 2000g

## Dimensions [mm]

### Standard :

¾"- clamp (with insert)

Damper shaft	Length	●I	■I	◆I
	≥85	10...22	10	14...25.4
	≥15	10...22	10	14...25.4

### Optional 1:

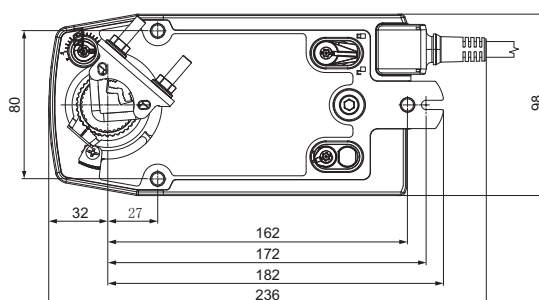
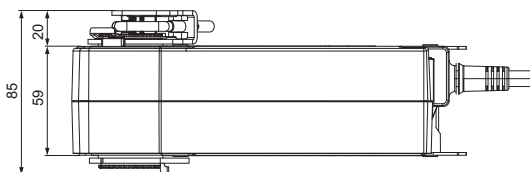
1"- clamp (without insert)

Damper shaft	Length	●I	■I
	≥85	19...25.4	12...18
	≥15	19...25.4	12...18

### Optional 2:

½"- clamp (optional via configuration)

Damper shaft	Length	●I	■I	◆I
	≥85	10...19	-	14...20
	≥15	10...19	-	14...20



Damper actuator for operating air control dampers in ventilation and air-conditioning systems for building services installations

- Torque: 10Nm
- Nominal voltage: AC 24...240V/DC 24...125V
- Control: Open/Close
- 2x SPDT auxiliary switches built-in



## Technical data

<b>Electrical data</b>	Nominal voltage	AC 24...240V 50/60Hz, DC 24...125V
	Nominal voltage range	AC 19.2...264V, DC 20.4...126.5V
	Power consumption	6.0W @ running / 2.5W @ holding
	For wire sizing	9.5VA
	Auxiliary switch	2x SPDT, 1mA...3(0.5)A, AC 250V <input type="checkbox"/> one fixed at 10°, one adjustable 10°...90°
<b>Functional data</b>	Connection	Cable 1m, 2x0.75mm <sup>2</sup>
	Torque - Motor	Min. 10Nm @ nominal voltage
	- Spring return	Min. 10Nm
	Direction of rotation	Selectable by mounting L/R
	Manual override	By manual override key
	Angle of rotation	Max. 95° ↯, limited on both sides by means of adjustable, mechanical end stops
	Running time - Motor	< 75s (0...10Nm)
	- Spring return	< 20s @ -20...50°C/max. 60s @ -30°C
	Sound power level - Motor	Max. 50dB(A)
	- Spring return	~62dB(A)
<b>Working conditions</b>	Position indication	Mechanical
	Life time	>60,000 full cycles
	Protection class	II (totally insulated) <input type="checkbox"/>
	Degree of protection	IP54
	EMC	CE according to 2004/108/EC
	Low voltage directive	CE according to 2006/95/EC
	Control pollution degree	3
	Rated Impulse Voltage	Supply: 4kV Switch: 2.5kV
	Mode of operation	Type 1.AA
	Ambient temperature	-30...+50°C
<b>Dimensions / weight</b>	Non-operation temperature	-40...+80°C
	Humidity test	95% RH, non-condensing
	Maintenance	Maintenance-free
	Dimensions (LxWxH)	236x98x58mm
Weight	Approximately 2200g	

## Dimensions [mm]

### Standard :

¾"- clamp (with insert)

Damper shaft	Length			
	≥85	10...22	10	14...25.4
	≥15	10...22	10	14...25.4

### Optional 1:

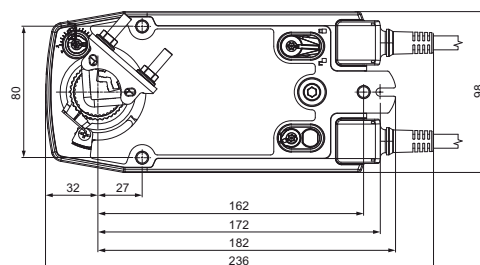
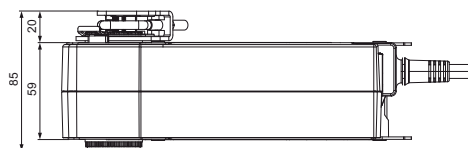
1"- clamp (without insert)

Damper shaft	Length		
	≥85	19...25.4	12...18
	≥15	19...25.4	12...18

### Optional 2:

½"- clamp (optional via configuration)

Damper shaft	Length			
	≥85	10...19	-	14...20
	≥15	10...19	-	14...20



Damper actuator for operating air control dampers in ventilation and air-conditioning systems for building services installations

- Torque: 10Nm
- Nominal voltage: AC/DC 24V
- Control: modulating DC 2(0)...10V  
position feedback DC 2...10V



## Technical data

<b>Electrical data</b>	Nominal voltage	AC 24V 50/60Hz, DC 24V
	Nominal voltage range	AC 19.2...28.8V, DC 21.6...28.8V
	Power consumption in operation	3.5W @ running/2.5W @ holding
	For wire sizing	6.0VA
	Connection	Cable 1m, 4x0.75mm <sup>2</sup>
<b>Functional data</b>	Torque - Motor	Min. 10Nm @ nominal voltage
	- Spring return	Min. 10Nm
	Control Control signal Y	DC 0...10V, typical input impedance 100KΩ
	Working range	DC 2...10V
	Position feedback (Measuring voltage)	DC 2...10V, max. 1mA
	Position accuracy	±5%
	Direction of rotation - Motor	Reversible with switch ↺ or ↻
	- Spring return	Selectable by mounting L/R
	Direction of rotation at Y=0V	At switch position ↺ resp. 1 ↻
	Manual override	By manual override key
<b>Working conditions</b>	Angle of rotation	Max. 95° ↔, limited on both sides by means of adjustable, mechanical end stops
	Running time - Motor	150s/90°
	- Spring return	< 20s @ -20...50°C/max. 60s @ -30°C
	Sound power level - Motor	Max. 40dB(A)
	- Spring return	~62dB(A)
	Position indication	Mechanical
	Protection class	III (safety extra-low voltage)
	Degree of protection	IP54
	EMC	CE according to 2004/108/EC
	Control pollution degree	3
	Rated Impulse Voltage	800V
	Mode of operation	Type 1.AA
	Ambient temperature	-30...+50°C
	Non-operation temperature	-40...+80°C
	Humidity test	95% RH, non-condensing (EN 60730-1)
Maintenance	Maintenance-free	
<b>Dimensions / weight</b>	Dimensions (LxWxH)	236x98x58mm
	Weight	Approximately 2000g

## Dimensions [mm]

### Standard :

¼"- clamp (with insert)

Damper shaft	Length	● I	■ I	◆ I
	≥85	10...22	10	14...25.4
	≥15	10...22	10	14...25.4

### Optional 1:

1"- clamp (without insert)

Damper shaft	Length	● I	■ I
	≥85	19...25.4	12...18
	≥15	19...25.4	12...18

### Optional 2:

½"- clamp (optional via configuration)

Damper shaft	Length	● I	■ I	◆ I
	≥85	10...19	-	14...20
	≥15	10...19	-	14...20

