

HTC-4YT



TEMPERATURE CONTROLLER
2 Heat 2 Cool + 0-10VDC
Modulating Compressor Output



Made in Australia
 100% Australian Owned Company

Features

- Australian Made and designed
- Power Supply can be either 24V or 240V AC
- 10 Amp (Resistive) Potential free relay contacts
- L.E.D Indication of all outputs
- Various remote sensor options available
- Mounts in most M.C.B din rail enclosures
- Compatibility to a vast range of AC Units & Heat Pumps

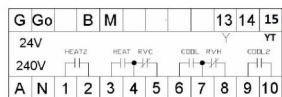
Use

The HTC-4YT Temperature Controller is primarily designed for the control of 2 Stage Heat and 2 Stage Cool Air-conditioning units but also incorporates a 0-10VDC modulating compressor output. For heating and cooling ramp output. All output relays are voltage free permitting use on either 240 Volt or 24 Volt circuitry. Stage switch on points are individually adjustable with their ON/OFF status displayed via LED indicators. The HTC-4YT Temperature Controller is ideally suited for DIN rail mounting in a switchboard or directly inside the A/C unit if required.

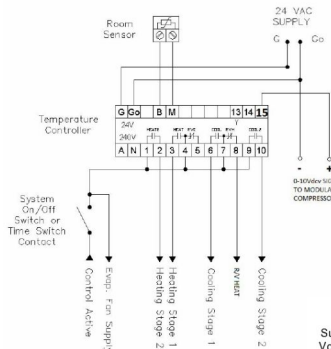
Technical Data

General Specifications	
Operating Voltage	24 Volts AC or 240 Volts AC
Power Consumption	At 240 Volts
	At 24 Volts
Switching Capacity of Relays	Voltage
	Current
Setpoint Setting Range	16...28 oC
Mod. Compressor Output	0-10VDC from +/-1 from setpoint (fixed)
Stage Start Point Adjustment	0.5...5.0 oC (From Setpoint)
Switching Differential Stage 1	0.3 oC (NON Adjustable)
Switching Differential Stage 2	0.7 oC (NON Adjustable)
Output Indication	
Heating	2 x Red LED's
Cooling	2 x Green LED's
Environmental Conditions	
Operation	
Ambient Temperature	0...45oC
Humidity	< 85 % RH (Non Condensing)
Storage and Transport	
Ambient Temperature	-5...65oC
Humidity	< 90 % RH (Non Condensing)
Product Standards	
C-tick	N10842
Weight	
Including Packaging	470 grams
Housing	
Colour	Grey
Material	ABS POLYCARB
UV Stabilised	YES
Fire Retardant	YES
Size	L105mm x W105mm x D60mm
Mounting Method	35mm Din Rail Mountable

Terminal Designations



- G 24 Volt AC Supply Active
- Go 24 Volt AC Supply Ground Reference
- B Sensor Input
- M Sensor Input & output Common
- 13 0-10VDC Slave Module Output
- 15 Y Signal to Modulating Compressor
- A 240 Volt AC Supply Active
- N 240 Volt AC Supply Neutral
- 1 Heating Stage 2 Common
- 2 Heating Stage 2 Output
- 3 Heating Stage 1 Output
- 4 Heating Stage 1 & R/V for Cool Common
- 5 Reversing Valve for Cool Output
- 6 Cooling Stage 1 Output
- 7 Cooling Stage 1 & R/V for Heat Common
- 8 Reversing Valve for Heat Output
- 9 Cooling Stage 2 Common
- 10 Cooling Stage 2 Output



Technical Notes

Supply Voltage The Controller requires either a 240Volt AC or 24 Volt AC Supply

Typical for Heat/Cool type Air-conditioning Units

0-10VDC Comp. o/p If the controller is powered from a 240V supply then use the 24v neutral "GO" or "M" terminal as the ground reference.

Warnings Use ONE Supply Voltage Only Either 240 or 24 Volts AC