

SRC-H1 Indoor Humidity Transmitter

Features

- Replaceable sensor element
- Indoor humidity measurement
- Minimum and maximum value memory
- 0...10V, 0...20mA or 2...10V, 4...20mA measuring signals selectable with jumpers
- Optional alternative signal ranges programmable
- Selectable averaging signal
- Optional external display (OPA-S)
- Status LED

Applications

- Indoor, Indoor humidity measurement for heating, ventilation and air conditioning applications.
- Recording of minimum and maximum values for critical environments
- Supervision of critical humidity



Humidity Transmitter

A unique capacitive sensor element is used for measuring relative humidity. The applied measuring technology guarantees excellent reliability and long term stability. The microprocessor samples the humidity once per second. It calculates an averaging signal over a preset number of seconds and generates the output signal. The output signal range and type may be customized by jumpers and if required by a programming tool. Standard signal ranges are 0-10VDC, 2-10VDC, 4-20mA and 0-20mA. These ranges can be set by jumpers. Other ranges can be set by using the external display and programming module. (OPA-S)

Minimum and Maximum Values:

Using a display & programming accessory, the user has the option to read out and reset minimum and maximum values. The minimum and maximum values may as well be used as output signals. The minimum and maximum values are saved into the EEPROM and are available after a power interruption.

Ordering

In order to receive an operational unit, the signal converter and the sensor element need to be ordered.

Signal converter

Item Name	Item Code	Description/Option
SRC-H1	40-30 0062	Humidity transmitter

Sensor element

Item Name	Item Code	Humidity Accuracy [%rH]	Temperature Accuracy [K] @25°C (77°F)	Description/Option
AES-HT-A2	40-50 0031-2	2%	± 0.5°	Humidity sensor element
AES-HT-A3	40-50 0031-3	3%	± 0.4°	
AES-HT-A5	40-50 0031-5	4.5%	± 0.3°	

Accessories

Item Name	Item Code	Description/Option
OPA-S	40-50 0006	External display module

Technical Specification

Power Supply	Operating Voltage Transformer	24 V AC 50/60 Hz \pm 10%, 24VDC \pm 10% SELV to HD 384, Class II, 48VA max	
	Power Consumption	Max 2 VA	
	Terminal Connectors	For wire 0.34...2.5 mm ² (AWG 24...12)	
Sensing Probe	Humidity Sensor:	Capacity sensor element	
	Range	0...100 % rH	
	Measuring Accuracy	See Figure 1	
	Hysteresis	\pm 1%	
	Repeatability	\pm 0.1%	
Signal Outputs	Stability	< 0.5% / year	
	Analog Outputs		
	Output Signal	DC 0-10V or 0...20mA	
	Resolution	10 Bit, 9.7 mV, 0.019.5 mA	
Environment	Maximum Load	20 mA, 500 Ω	
	Operation	To IEC 721-3-3	
	Climatic Conditions	class 3 K5	
	Temperature	0...60°C (32...140°F)	
	Humidity	<95% R.H. non-condensing	
	Transport & Storage	To IEC 721-3-2 and IEC 721-3-1	
Standards	Climatic Conditions	class 3 K3 and class 1 K3	
	Temperature	-40...70°C (-40...158°F)	
	Humidity	<95% R.H. non-condensing	
	Mechanical Conditions	class 2M2	
	CE conformity	EMC Directive	2004/108/EC
		Low Voltage Directive	2006/95/EC
	Product standards Automatic electrical controls for household and similar use	EN 60 730 -1	
	Special requirement on temperature dependent controls	EN 60 730 - 2 - 9	
	Electromagnetic compatibility for domestic and industrial sector	Emissions: EN 60 730-1 Immunity: EN 60 730-1	
	Degree of Protection	IP30 to EN 60 529	
Safety Class	III (IEC 60536)		
General	Housing Materials	Cover: Fire proof ABS plastic Mounting Plate: Galvanized Steel	
	Dimensions (H x W x D)	21 x 88 x 88 mm (0.8 x 3.5 x 3.5 in)	
	Weight (including package)	160 g (5.6 oz)	

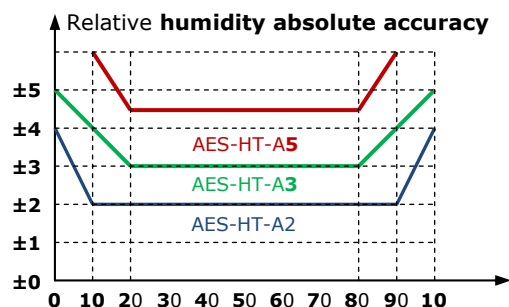
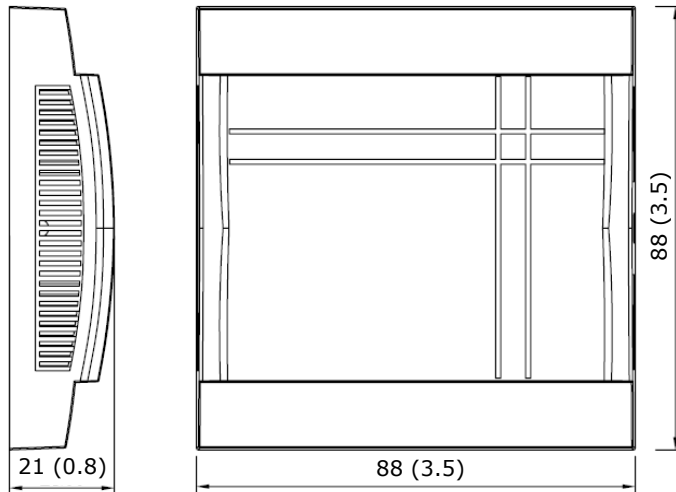


Figure 1: Max RH-tolerance at 25°C (77°F) per sensor type

Dimensions mm(inch)**Mechanical design and installation**

The unit consists of two parts: (a) The mounting plate and (b) the cover with the transmitter.

Mounting location

Mount the transmitter on a flat interior wall of the room to be controlled. Do avoid obstructions such as shelves, curtains and recesses. Do not place near heat sources, draft channels. Do not expose to direct sunlight.

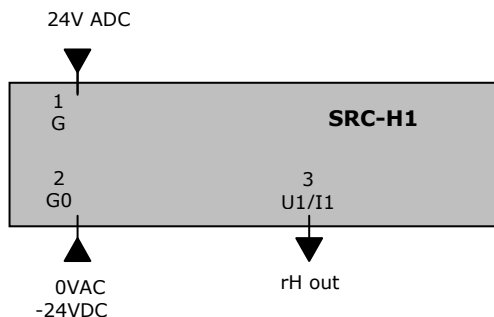
Warning about storage, packaging and usage environment

The sensing part is a polymer, which measures the humidity in the ambient air. For proper sensor operation some mandatory precautions need to be taken during storage, packaging and usage.

The transmitter and its sensing element should not be packaged, stored or used in out-gassing plastic materials, which could cause sensor contamination. In particular, it is recommended not to use any glue or adhesive tapes (Sellotape, Scotch-Tape, Tesa-Film, etc.) within the package or close proximity of the sensor. Foamed materials often cause contamination problems and should not be used to package the transmitter. Best packaging material is a simple cardboard box or a deep-drawn plastic case in a cardboard box.

Installation

1. Open the single screw on the cover and remove cover from mounting plate.
2. Fix the mounting plate to the flush mounting box or the wall surface
3. Connect the conductors to the terminals of the back part according to wiring diagram
4. The end of the conduit at the sensor must be sealed to prevent false measurements due to draughts through the conduit.
5. Slide the two hooks on top of the cover into the two latches on top of the mounting plate.
6. Close the cover.
7. With a Philips-type screw driver of size #2, carefully tighten the front holding screw to secure the cover to the back part. There is no need to tighten the screw too much.

Connection terminals

- | | |
|-------|--|
| 1: G | Power supply 24VAC, +24VDC |
| 2: G0 | Power supply 0VAC, -24VDC |
| 3: U1 | JP1 = 1-2, voltage output of humidity transmitter 0...10V or 2...10V (JP3) |
| 3: I1 | JP1 = 2-3, current output of humidity transmitter 0...20mA or 4...20mA (JP3) |

Output signal configuration

The analog output signal type may be configured with a jumper for 0-10 VDC or 0-20 mA control signals. The jumpers are located next to the terminal connector of each analog output. See table below for jumper placement. The factory setting is to 0-10 VDC.

The signal range may be set with JP3 for both analog outputs. JP3 will only operate if the output range specified with OP01 and OP02 is left at the default position of 0...100%. With any other setting the position of JP3 has no influence and the range defined with the output parameters applies.

Jumper Settings

Signal Type	JP1
0 – 10 V	(1-2)
0 – 20 mA	(2-3)

Signal Range	JP3
0 – 10 V, 0 – 20 mA	(1-2)
2 – 10 V, 4 – 20 mA	(2-3)

Configuration parameters

The transmitter can be adapted to fit perfectly into any application by adjusting the software parameters. The parameters are set with the operation terminals OPA-S. The OPA-S may also be used as remote indicator.

Input configuration

Parameter	Description	Range	Default
IP 00	H1: Show Percent	ON, OFF	ON
IP 01	H1: Samples taken for averaging control signal	1...255	10
IP 02	H1: Calibration	-10...10%	0

Output configuration

Parameter	Description	Range	Default
OP 00	AO1: Humidity: Configuration of output signal: 0 = Feedback humidity input, 1 = Feedback humidity minimum value 2 = Feedback humidity maximum value	0 - 2	0
OP 01	AO1: Humidity: Minimum limitation of output signal	0 - Max %	0%
OP 02	AO1: Humidity: Maximum limitation of output signal	Min - 100%	100%

Replacing the sensing element

