



## SSVR-40A...Modulating Single Phase Solid-State Relay

---

Single phase solid-state relay with 0-10Vdc modulating input and 440Vac rated output for loads up to 40 amps.

Zero-crossing fired output, each cycle half wave conduction proportional to input range percentage.

---

### Range Overview

#### Solid-State Relay

##### **SSVR-40A-10VDC**

- 0-10Vac input, 440Vac 40A output

#### Heat sink (ordered as separate item):

##### **HH-036**

- For SSVR-40A, SSR3P-30A, SSR3P-40A

#### Thermal paste: (ordered as separate item):

##### **HTC20S**

- 20ml syringe
- 

### Installation



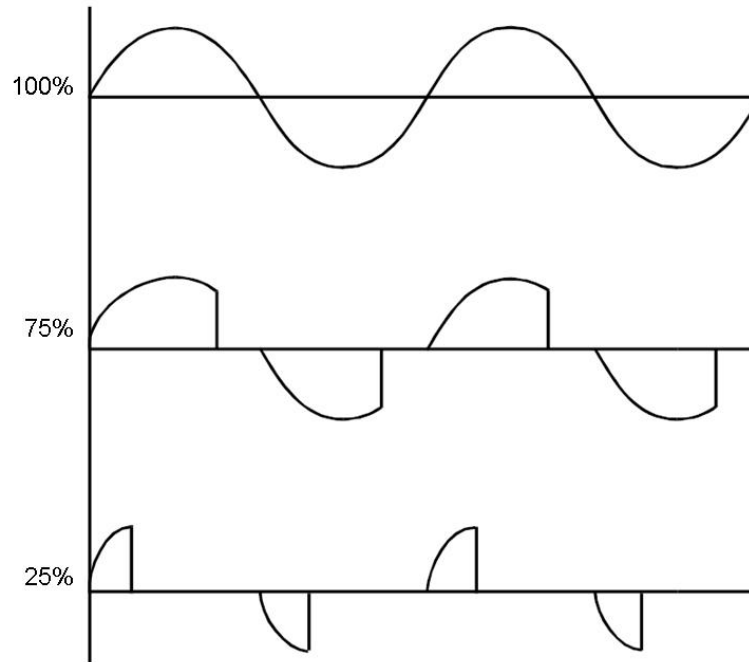
- Always ensure the connected load is within the load limits of the SSR
- Stated load is in combination with a heat sink designed to provide sufficient heat-dissipation to match the SSR load
- The SSR should be mounted securely to the selected heat sink
- Heat-conducting paste must be applied between the SSR and the heat sink to ensure efficient heat transfer takes place
- Adequate ventilation should be provided in the electrical panel to ensure heat is dissipated from the heat sink efficiently



- Only suitably qualified personnel should perform installation or maintenance of these devices
- Always disconnect the voltage before carrying out any installation or maintenance of these devices

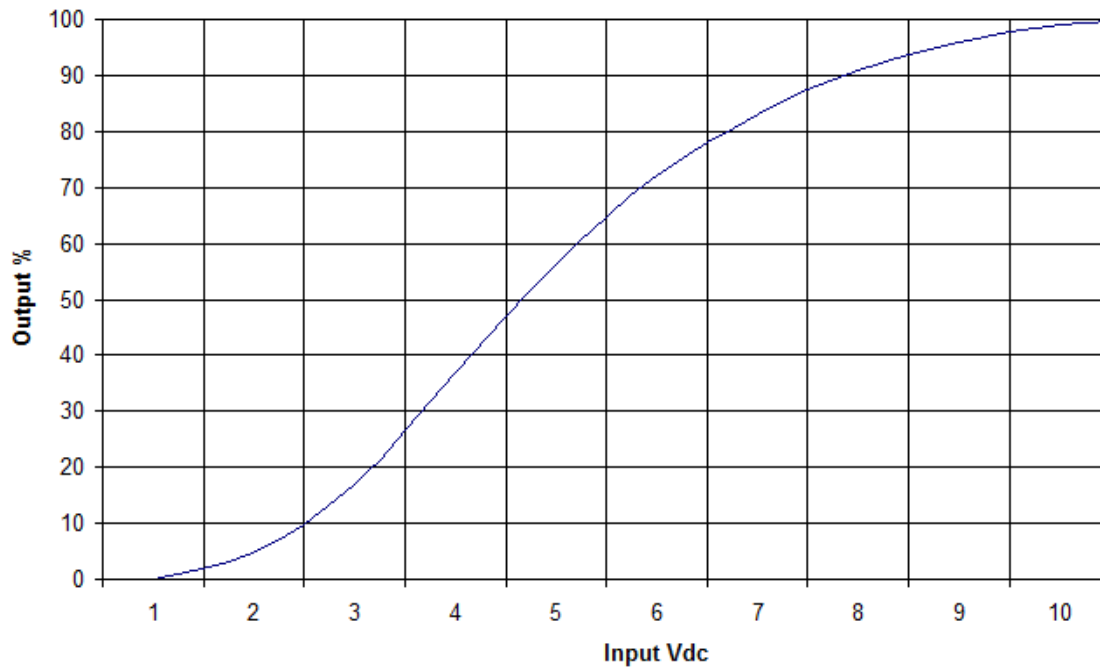
## Output Phase Angle Switching

The output is fired at the zero-crossing each half cycle for a percentage of the half cycle. The output conduction period relates to the applied input signal range percentage

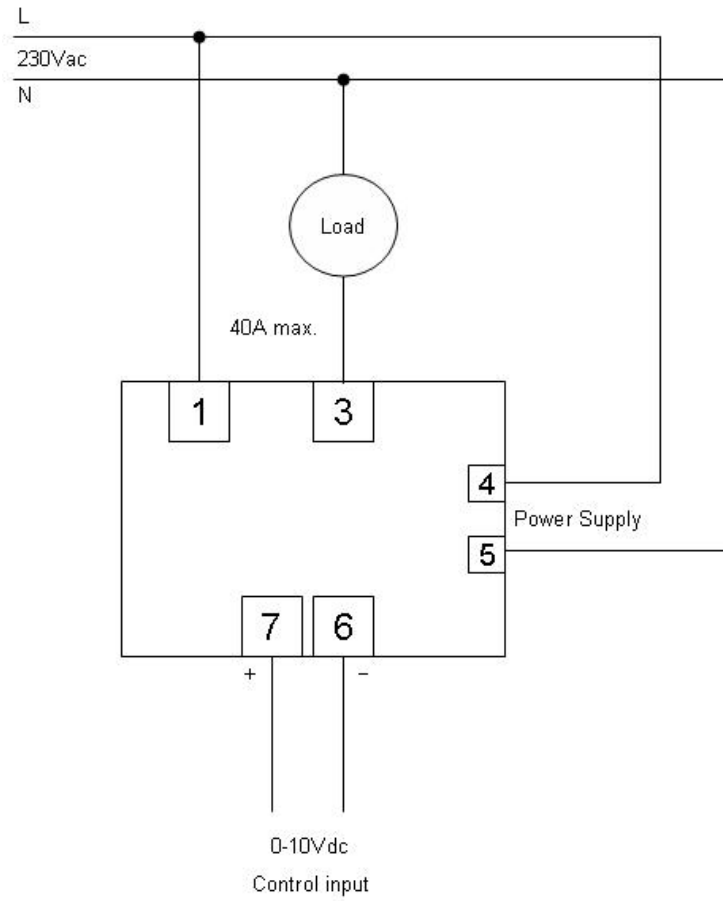


---

## Input/Output Response

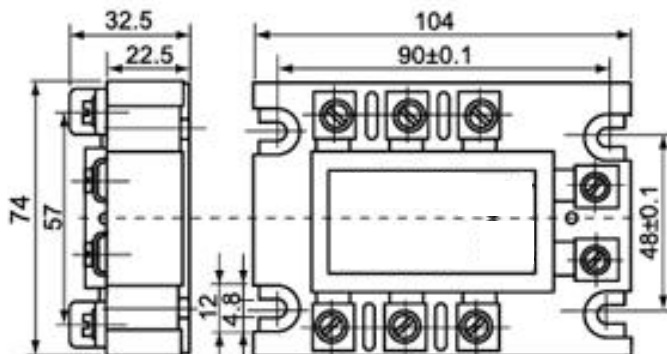


## Connections

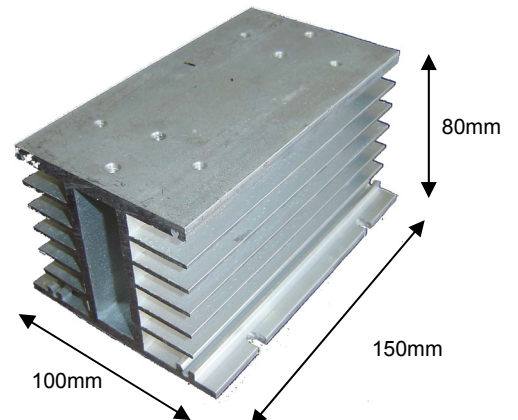


## Dimensions

SSVR:



HH-036:



## Technical Data

Control input voltage:	0-10Vdc
Power supply:	230Vac, 50 Hz
Load output rated voltage:	440Vac max
Rated output current ( $I_N$ ):	40A max
ON state voltage drop:	<2V
Transition time:	<10ms
OFF state leakage current:	<10mA
Isolation voltage:	>2kV
Ambient operating temperature ( $T_A$ ):	-25...+70°C with heat sink. Above 40°C down-rate: $I_{MAX} = I_N * (T_A - 40) * 0.01875$
Operating indication:	LED